

S35-3E

1/8 Off Road / Brushless / Power Pro Buggy

Name: _____
Date: _____
Track: _____

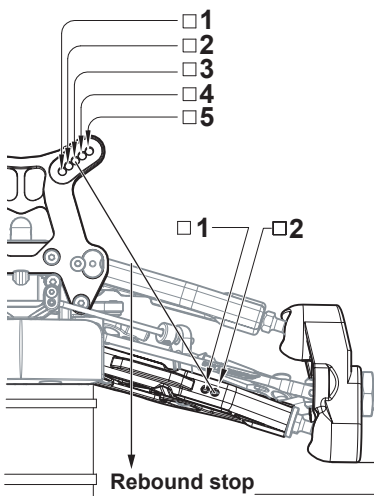
Diff. Oil
Front: # _____
Center: # _____
Rear: # _____

Tire
Front Type: _____ Rear Type: _____
Foam: _____ Foam: _____

Track Conditions
Size: Open Med. Tight
Traction: High Med. Low
Surface: Smooth Med. Bumpy

Electric System
ESC Type: _____
Motor Type: _____
Motor Gear/Spur Gear: _____
Battery Type A: Standard Pack _____
B: Shorty Pack _____

Front Suspension



1 _____
2 _____
3 _____
4 _____
5 _____

Rebound stop _____ mm

F _____ mm
R _____ mm

Front Toe-In
Al(6g) Brass(25g)
 -1
 0
 +1

Al(11g) Brass(25g) Brass(35g)
 -1
 0
 +1

Wheel Hub Note: _____

Front Shock System
Oil: _____
Pistons: _____
Spring: _____
Spacer: _____ mm

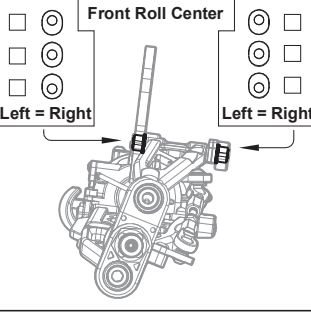
Steering Ackerman
1 _____
2 _____
3 _____
4 _____

Carbon Arm Covers:
F/Upper _____ mm
F/Lower _____ mm

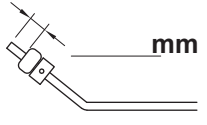
Camber Angle
L: _____ °
R: _____ °

Notes: _____

Front Roll Center
Left = Right
Left = Right

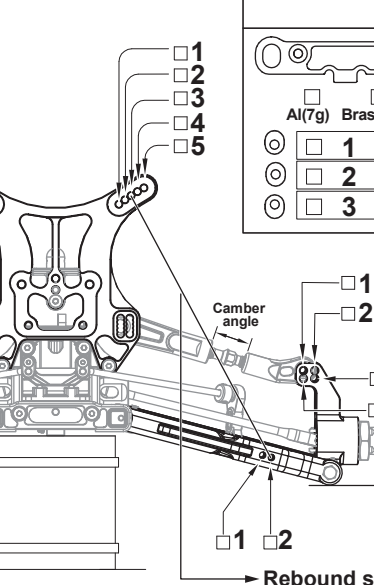


Track width _____ mm
Camber angle Upper _____ mm
Lower _____ mm
Toe angle _____
Sway bar Use _____ mm
 None



mm

Rear Suspension



1 _____
2 _____
3 _____
4 _____
5 _____

Rebound stop _____ mm

Rear Toe-In
Al(7g) Brass(25g)
 1
 2
 3

Type A
 3.0
 2.0
 1.0
 30+1K-Up
 30-1K-Up
 20+1K-Up
 20-1K-Up
 Type B

Wheel Hub Note: _____

Upper arm position
1 _____
2 _____
3 _____
4 _____
5 _____
6 _____

Wing Position
1 _____
2 _____
3 _____
4 _____
5 _____
6 _____
7 _____
8 _____

Camber angle _____ mm

Rear Shocks
Oil: _____
Pistons: _____
Spring: _____
Spacer: _____ mm

Carbon Arm Covers:
R/Lower _____ mm

Body: _____
Wing: _____

Wheelbase adjustment F _____ mm
R _____ mm

Sway bar Use _____ mm
 None

Notes: _____